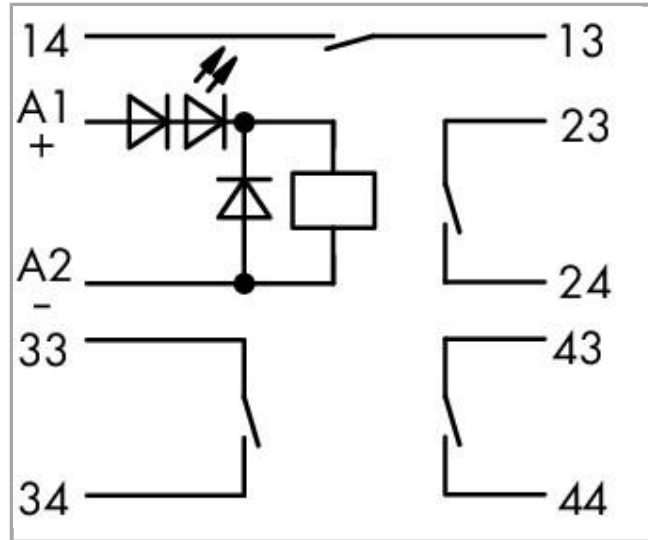


Data sheet | Item number: 286-352/004-000

Relay module; Nominal input voltage: 24 VDC; 4 make contacts; Limiting continuous current: 5 A; Path; Red status indicator; Module width: 25 mm



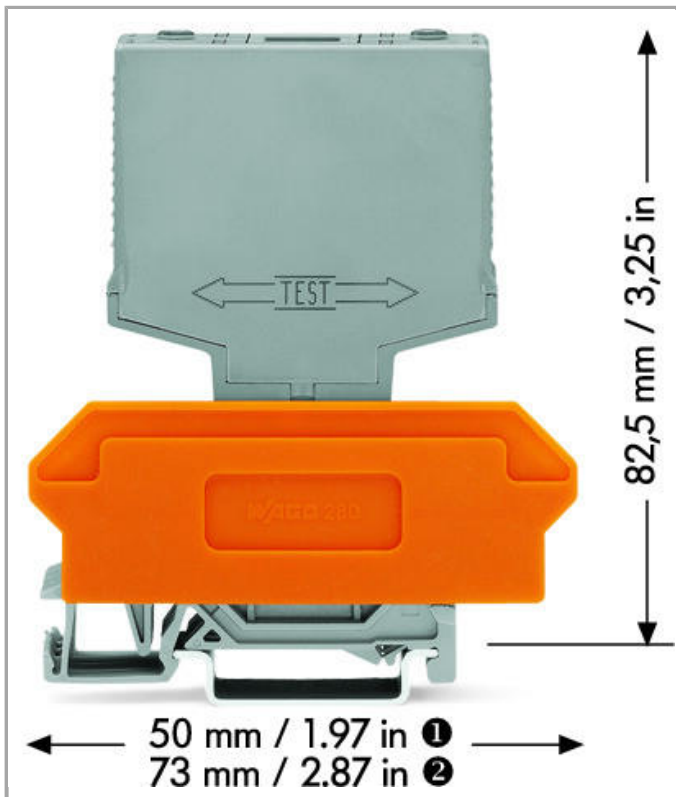
286-352/004-000



RoHS  Compliant

[BOMcheck.net](https://www.bomcheck.net)

Color:



## Data

## Technical Data

## Control circuit

Nominal input voltage $U_N$	DC 24 V
Input voltage range	-30 ... +25 %
Nominal input current at $U_N$	8.5 mA

## Load circuit:

Number of make contacts/switch on contacts	4
Contact material (relay)	AgNi + Au
Limiting continuous current	5 A
Max. switching voltage	AC 250 V
Pull-in time (typ.)	10 ms
Drop-out time (typ.)	5 ms
Bounce time (typ)	2 ms

## Safety and protection:

Rated voltage	250 V
Rated impulse voltage	2.5 kV

Pollution degree	2
Dielectric strength, control/load circuit (AC, 1 min)	1.5 kVrms
Protection class	IP20

### Geometrical Data

Width	25 mm / 0.984 inch
Height from upper-edge of DIN-35 rail	82.5 mm / 3.248 inch
Depth	52 mm / 1.654 inch

### Mechanical data

Type of mounting	Pluggable module for carrier terminal blocks
------------------	--

### Material Data

Color	gray
Fire load	0.745 MJ
Weight	40.1 g

### Environmental Requirements

Pollution degree	2
Surrounding air (operating) temperature at $U_N$	-25 ... 70 °C
Surrounding air (storage) temperature	-25 ... 70 °C

### Standards and specifications



Standards/specifications	EN 60664-1
--------------------------	------------

### Commercial data

Product Group	6 (Interface Electronics)
Country of origin	DE
GTIN	4055143104760
Customs Tariff No.	85364900990

### Compatible products

#### Marking accessories

	Item no.: 209-701 WSB marking card; as card; not stretchable; plain; snap-on type	209-701
	Item no.: 209-701/000-002 WSB marking card; as card; not stretchable; plain; snap-on type	209-701 /000-002



**Item no.: 209-701/000-005**  
WSB marking card; as card; not stretchable; plain; snap-on type

/000-005

209-701



**Item no.: 209-701/000-006**  
WSB marking card; as card; not stretchable; plain; snap-on type

/000-006

209-701



**Item no.: 209-701/000-007**  
WSB marking card; as card; not stretchable; plain; snap-on type

/000-007

209-701



**Item no.: 209-701/000-012**  
WSB marking card; as card; not stretchable; plain; snap-on type

/000-012

209-701



**Item no.: 209-701/000-017**  
WSB marking card; as card; not stretchable; plain; snap-on type

/000-017

209-701



**Item no.: 209-701/000-023**  
WSB marking card; as card; not stretchable; plain; snap-on type

/000-023

209-701



**Item no.: 209-701/000-024**  
WSB marking card; as card; not stretchable; plain; snap-on type

/000-024

209-701

## Downloads

### Documentation

#### Bid Text

286-352/004-000 Relaisbaustein	Jan 22, 2016	doc 27.1 kB	Download
-----------------------------------	--------------	----------------	----------

#### Additional Information

Disposal; Electrical and electronic equipment, Packaging	V 1.0.0	pdf 265.8 kB	Download
--	---------	-----------------	----------

Subject to changes.